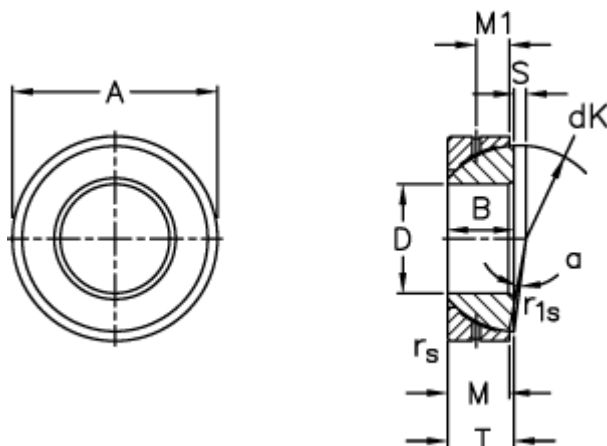


Article number: 03509032

Description: Fluro Rod end GE 32SX

## Measures



A	= 58 0 -0,016	S	= 2
B	= 17	Static load C0 (kN)	= 354
D	= 32 0 -0,012	T	= 17 +0,25 -0,40
dK	= 52	Tilt angle	= 2
Dynamic load C (kN)	= 71	Weight	= 241
M	= 16		
M1	= 8.5		
rs, r1s min	= 1		